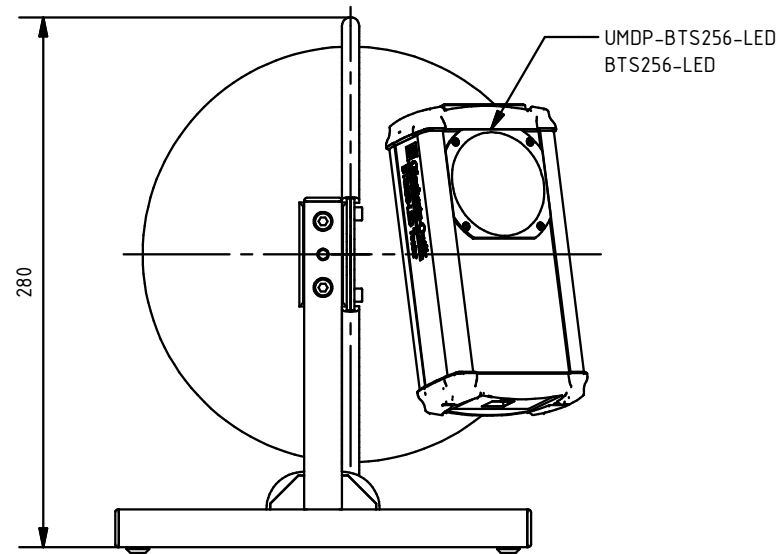
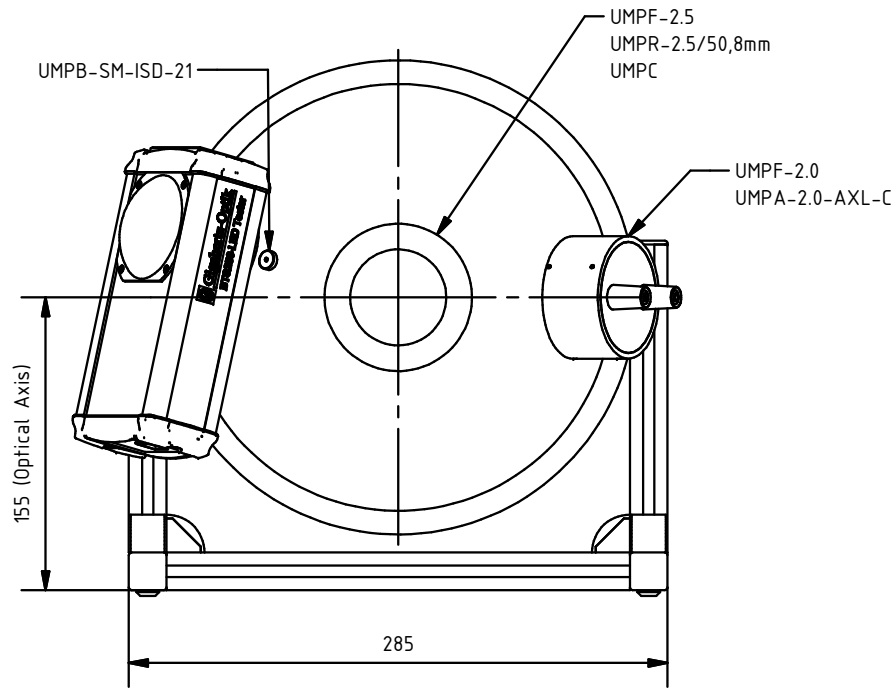
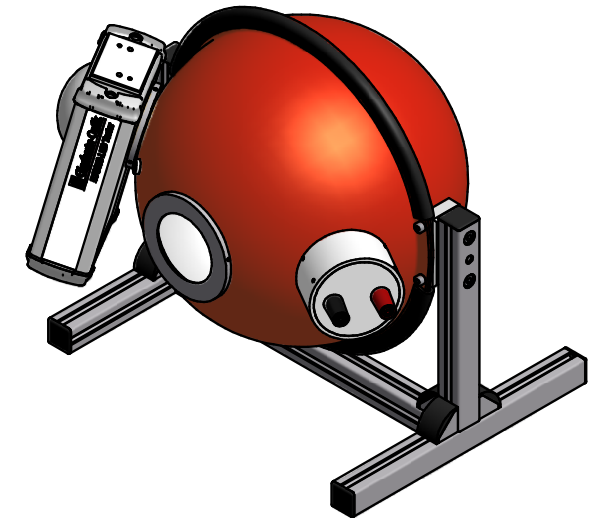
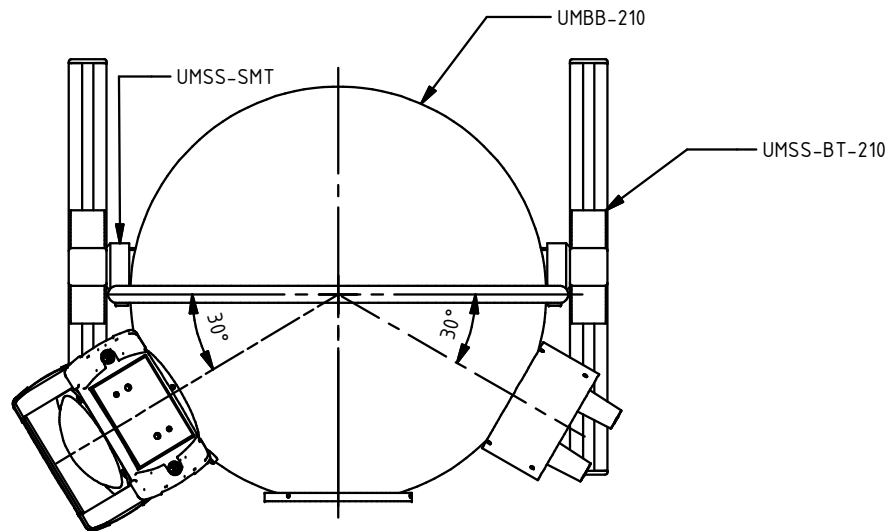


UMPB-SM-ISD-21



Weight 2.2kg



ISD-21-V01

102733-01

Copyright ©

Gigahertz-Optik GmbH